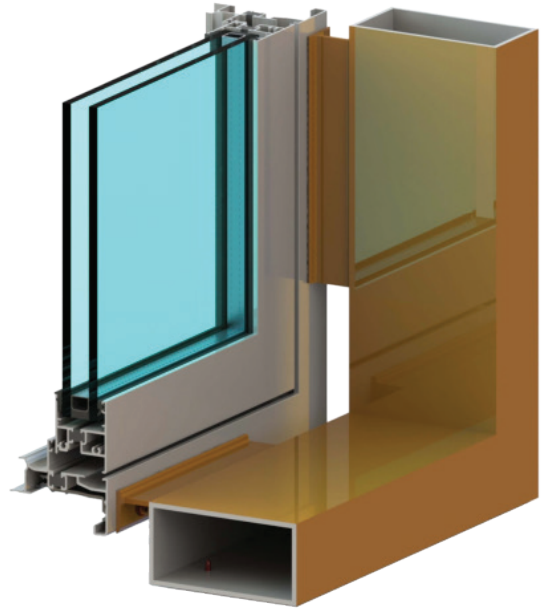


Altus® Window Shroud



Altus® Shroud Overview

The Altus® Shroud is designed to bring depth, character, and a refined architectural edge to modern façades. By projecting beyond the flat plane of a wall, it enhances the visual impact of windows and doors, creating strong, clean lines that elevate a building's overall aesthetic.

Exclusively available through Altus® Window Systems fabricator brands – Bradnam's®, Fisher® Windows, Nebulite®, Nulook®, Rylock®, and Vistalite® – the shroud system is built on precision engineering and installation efficiency.

Purpose-designed brackets and support mechanisms are integrated with the window or door frame during fabrication. This allows the shroud to be fixed directly to the frame, eliminating unnecessary cladding penetrations, reducing on-site complexity, and saving valuable build time.

Key design aspects and features:

- Can be strategically positioned to control solar gain
- Brings added privacy in close proximity dwellings
- Breaks up flat façades with depth and architectural character
- Available in the full Dulux™ powdercoat colour range
- Constructed from a robust 50mm wide, 3mm thick aluminium box section, in standard depths of 100, 150, 200, and 250mm (other sizes may be achievable)
- Custom fabricated to align with window and door sizes
- Integrated with window and door frames to minimize risk of leaks
- Fully engineered and backed by Altus® Window Systems

Explore the Altus® Window Systems Highbrook Louvre range for our complete offering of commercial louvres.

Exclusively available from



Contact us if you have any questions or enquiries about our products, or just want to drop us a line.

ARCHITECTURAL ENQUIRY

0800 DESIGN (337 146)
architectural@altus.co.nz

TECHNICAL ENQUIRY

0800 925 500
technical@altus.co.nz

altuswindows.co.nz



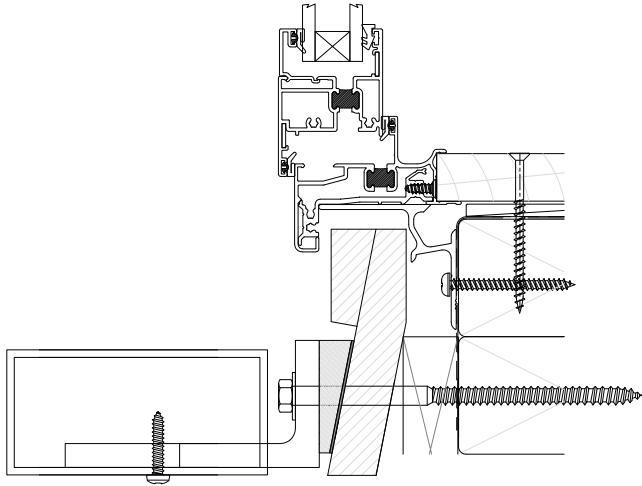
 **altus**®
Window Systems

Why choose the Altus® Window Shroud?

A smarter, more secure, and architecturally refined solution.

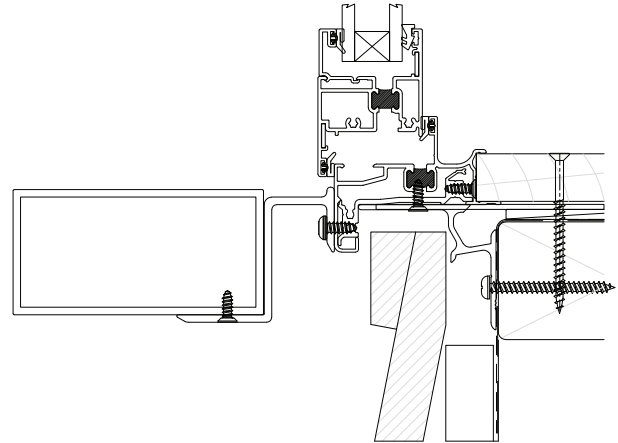
Check out the key differences between a traditional installation and the Altus® Window Shroud system.

Traditional Shroud



- ✗ Attached through cladding – fasteners penetrate the building envelope
- ✗ Increased risk of water ingress due to multiple cladding breaches
- ✗ Visibly mounted with exposed fixings – less aesthetic appeal
- ✗ No standard detail in E2/AS1 – complex compliance pathway
- ✗ Typically requires an additional contractor for install
- ✗ Labour intensive and more expensive

Altus® Window Shroud



- ✓ Attached directly to the window frame and liner – no cladding penetrations
- ✓ Maintains cladding integrity – reducing potential for weather-tightness issues
- ✓ Clean, discreet fixing – sleek and architecturally pleasing finish
- ✓ E2/AS1 compliant
- ✓ Covered by a generic PS1 from Altus® – simplifying compliance and approvals
- ✓ Streamlined, cost-effective solution

The Altus® advantage

Secure fixing – Built-in support brackets within the window frame for a rock-solid attachment.

Architect-friendly – Clean lines and discreet fixings keep the visual focus where it should be.

Code compliant – Backed by Altus® engineering expertise and compliance documentation.

No holes = No worries – the Altus® Shroud eliminates penetrations through the cladding, protecting the building envelope.

Talk to us today
about integrating the
Altus® Window Shroud
into your next project.

